

SFX SERIES OUTDOOR LIGHTING

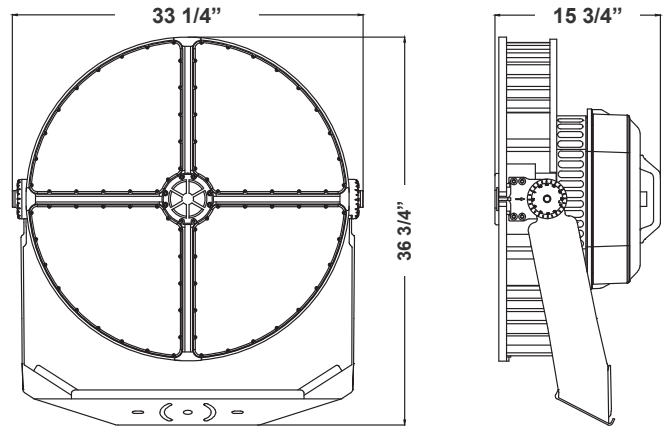
SFX-G7-1400-1700W-45D-50K-480V
GENERATION 7 STADIUM LIGHT



Customer Name: _____

Project Name: _____

Note: _____ Type: _____



36 3/4" (H) x 33 1/4" (W) x 15 3/4" (D)

Ideal for Stadium lighting, Sports fields, parking lots, docks, railway and container yards, Architectural lighting, Industrial and commercial exterior lighting, trade shows, exhibitions.

Features

- Die-Cast Aluminum Housing with Powder Coat Finish (Black)
- 7-year Warranty
- 20KV Lightning Surge Protection

Technical Specifications

Electrical:

- Voltage: 480V
- Wattage: 1400W/1500W/1600W/1700W
- Power Factor: >0.90~0.97
- Efficacy: 150LPW

Mechanical:

- Die-Cast Aluminum Housing with Powder Coat Finish (Black)
- Cord type: 3' SJTW 18/3 AWG Cable
- Half Shroud & U Mounting Bracket Included
- Effective Projected Area (EPA): 1.8 (sq. ft.)
- Operating Temperature: -40°F to 176°F
- IP Rating: IP65, Suitable for Wet Locations
- 7-year Warranty

Lighting:

- 20KV Lightning Surge Protection
- Total lumens: 25500LM Max.
- Color Temperatures: 5000K
- Color Rendering Index: CRI ≥ 84
- Rated Life: 70,000 Hrs
- Beam Angle: 45°

Applications:

- Stadium lighting, Sports fields, parking lots, docks, railway and container yards, Architectural lighting, Industrial and commercial exterior lighting, trade shows, exhibitions.

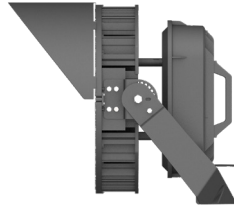
• 1700W | 25500LM | SFX-G7-1400-1700W-45D-50K-480V



Other Views:



Shown with shroud



Side View



Back View

Performance Table: SFX-G7-1400-1700W-45D-50K-480V

MODEL NO.	Wattage	Voltage	Lumens	Color Temp.	BUG Rating	LPW
SFX-G7-1400-1700W-45D-50K-480V	1400W 1500W 1600W 1700W	480V	210000 225000 240000 255000	5000K	B5-U0-G4	150

Sample Ordering

Model	Style	Min. Watt	Max. Watt	Beam Angle	Color Temp.	Voltage
SFX	G7	1400	1700W	45D	50K	480V

Accessory:

Blank = No Option For Accessories
SFX-G7-SF = Slip Fitter Adapter

Accessory:

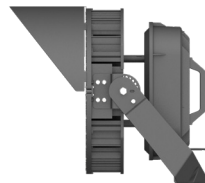


SFX-G7-SF

Other Model: SFX-G7-2100-2400W-45D-50K-480V



Shown with shroud



Side View



Back View

